

# Sealed Power Transformer

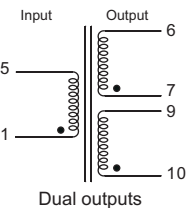
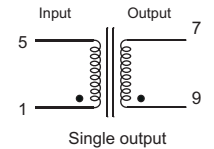
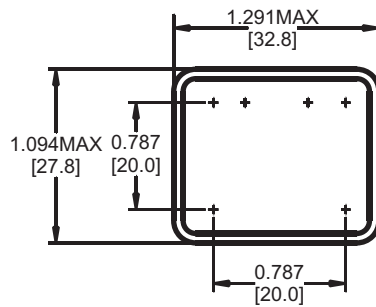
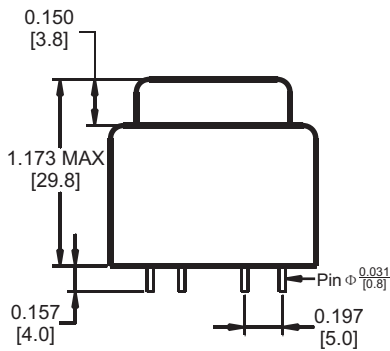
## 2.3VA EI30-18 Series • Input:230V



### FEATURES

- VDE,UL,CQC,CE APPROVED
- Vacuum Filling
- Split Bobbin Design
- Self-Extinguishing Plastics UL94V-0
- Input:230V
- Dielectric Strength 4200Vrms  
Operation Frequency:50/60Hz
- Inherently Energy Limited
- Resin Class B IEC 85  
(20,000 h Testing to IEC 216)
- Conforms to EN 61558 and EN 60950
- To be noted:2x18V and 2x24V models are non-approved VDE, Those transformers meet all requirement of EN 61558-2-4.
- 100% Production Tested
- Weight:110grams

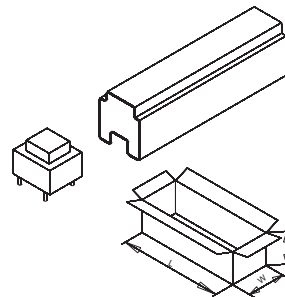
### OUTLINE DIMENSIONS



### ELECTRONIC SPECIFICATIONS

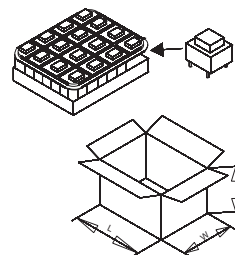
Order Number (230V)	SEC. Voltage (V)	Output Current (mA)	Rated Power (VA)	Ambient TEMP (°C)
BV302S06023	6	383	2.3	T70B
BV302S09023	9	256	2.3	T70B
BV302S12023	12	192	2.3	T70B
BV302S15023	15	153	2.3	T70B
BV302S18023	18	128	2.3	T70B
BV302S24023	24	96	2.3	T70B
BV302D06023	2X6	2X192	2.3	T70B
BV302D09023	2X9	2X128	2.3	T70B
BV302D12023	2X12	2X96	2.3	T70B
BV302D15023	2X15	2X77	2.3	T70B
BV302D18023*	2X18	2X64	2.3	T70B
BV302D24023*	2X24	2X48	2.3	T70B

### Tube Packaging



Carton Outline LXWXH(mm)	565X195X140
QTY (Per Tube)	15PCS
QTY (Per Carton)	150PCS
Weight (Per Carton)	17.5 kg

### Tray Packaging



Carton Outline LXWXH(mm)	370X250X235
QTY (Per Tray)	20PCS
QTY (Per Carton)	160PCS
Weight (Per Carton)	17.8 kg

**AMOY MAGNETICS**